



CESAB

spec sheet

CESAB P216i

1.6t capacity

Li-ion powered pallet truck

LI-ION



CESAB P216i

Truck Specifications

CHARACTERISTICS				
1.2	Model designation			P216i
1.3	Power unit			Electric
1.4	Operator type			Pedestrian
1.5	Load capacity/rated load	Q	kg	1600
1.6	Load centre	c	mm	600
1.8	Centre axle to fork face	x	mm	908/970
1.9	Wheelbase	y	mm	1178/1240
WEIGHT				
2.1	Service weight including battery		kg	274
2.2	Axle load, with load, drive/castor/fork wheels		kg	610/61/1203
2.3	Axle load, without load, drive/castor/fork wheels		kg	172/48/54
WHEELS AND TYRES				
3.1	Drive/castor/fork wheels			Prime*/Polyurethane/Prime*
3.2	Wheel size front	Ø x width	mm	Ø 230x70
3.3	Wheel size rear	Ø x width	mm	Ø 85x97
3.4	Castor wheels	Ø x width	mm	Ø 100x40
3.5	Wheels, number front/rear (x=driven wheels)			1x +2/ 2 or 4
3.6	Track width, front	b ₁₀	mm	502
3.7	Track width, rear	b ₁₁	mm	370
DIMENSIONS				
4.4	Lift movement	h ₃	mm	125
	Lift height	h ₂₃	mm	210
4.9	Height of tiller arm in drive position min./max.	h ₁₄	mm	865/1235
4.15	Height, forks lowered	h ₁₃	mm	85
4.19	Overall length	l ₁	mm	1569
4.20	Length to face of forks	l ₂	mm	419
4.21	Overall width	b ₁	mm	730
4.22	Fork dimensions	s/e/l	mm	50/180/1150
4.25	Width over forks	b ₅	mm	550
4.32	Ground clearance, centre of wheelbase	m ₂	mm	33
4.34.1	Aisle width with pallets 1000 x 1200, crossways	A _{st}	mm	2145
4.34.2	Aisle width with pallets 800 x 1200, lengthways	A _{st}	mm	2033
4.35	Turning radius	W _a	mm	1338/1400
PERFORMANCES				
5.1	Travel speed with/without load		km/h	6,0/6,0
5.2	Lift speed with/without load		m/s	0,047/0,056
5.3	Lowering speed with/without load		m/s	0,012/0,04
5.8	Max. gradeability with/without load		%	10/18
5.9	Acceleration time without load (10m)		s	6,3
5.10	Service brake			Electromagnetic
ELECTRIC MOTOR				
6.1	Drive motor, rating S2 60 min		kW	1,0
6.2	Lift motor S3 15%		kW	1,0
6.4	Battery voltage, nominal capacity K ₅		V/Ah	Li-ion 24/50, 105, 150
6.5	Battery weight min./max.		kg	6,4, 16,0, 21,5
6.6	Energy consumption according to VDI cycle ¹⁾		kWh/h	
OTHERS				
8.1	Type of drive control			Variable AC
8.4	Sound level at driver's ear according EN 12 053		dB(A)	59

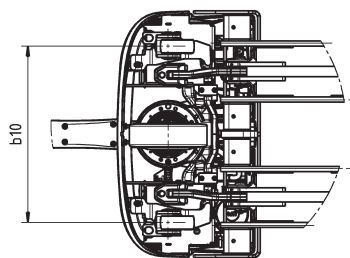
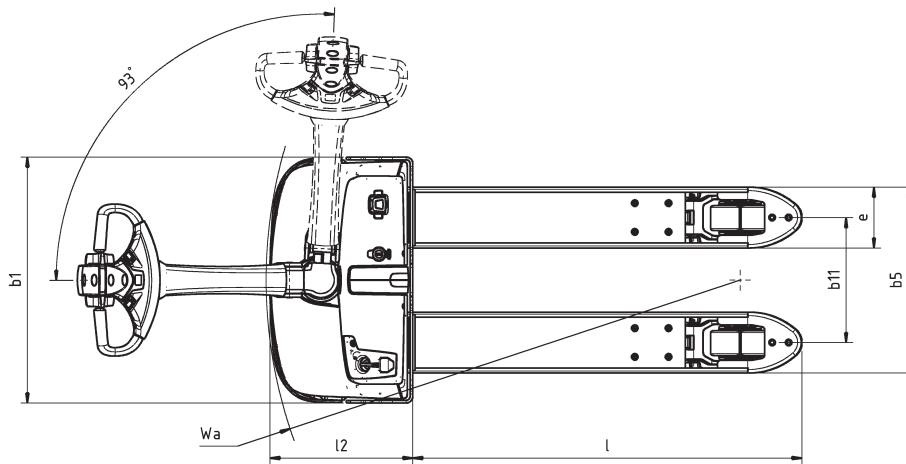
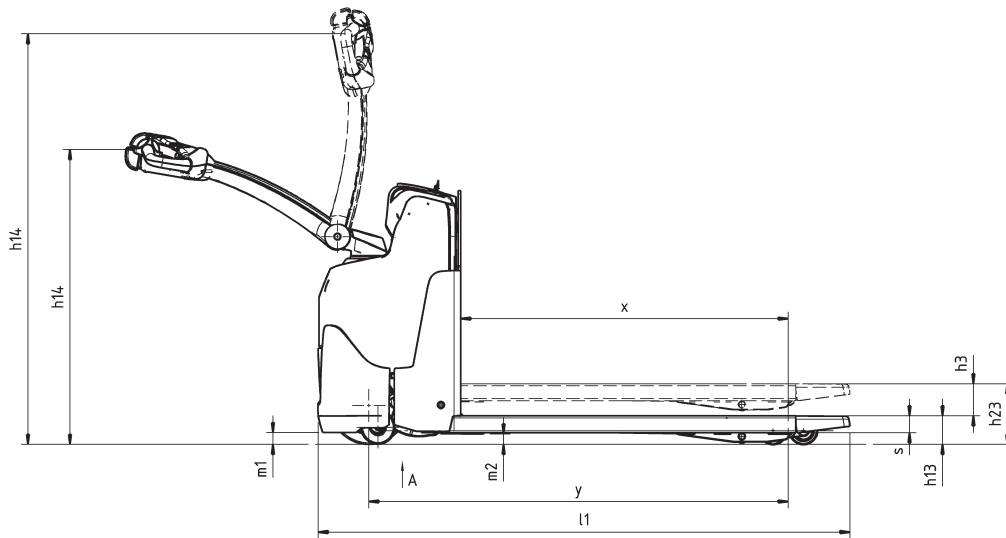
All data is based on the mentioned configuration, other configurations may give different values. Truck performance and dimensions are nominal and subject to tolerances. CESAB products and specifications are subject to changes without notice.



Powered pallet truck, 1.6t capacity

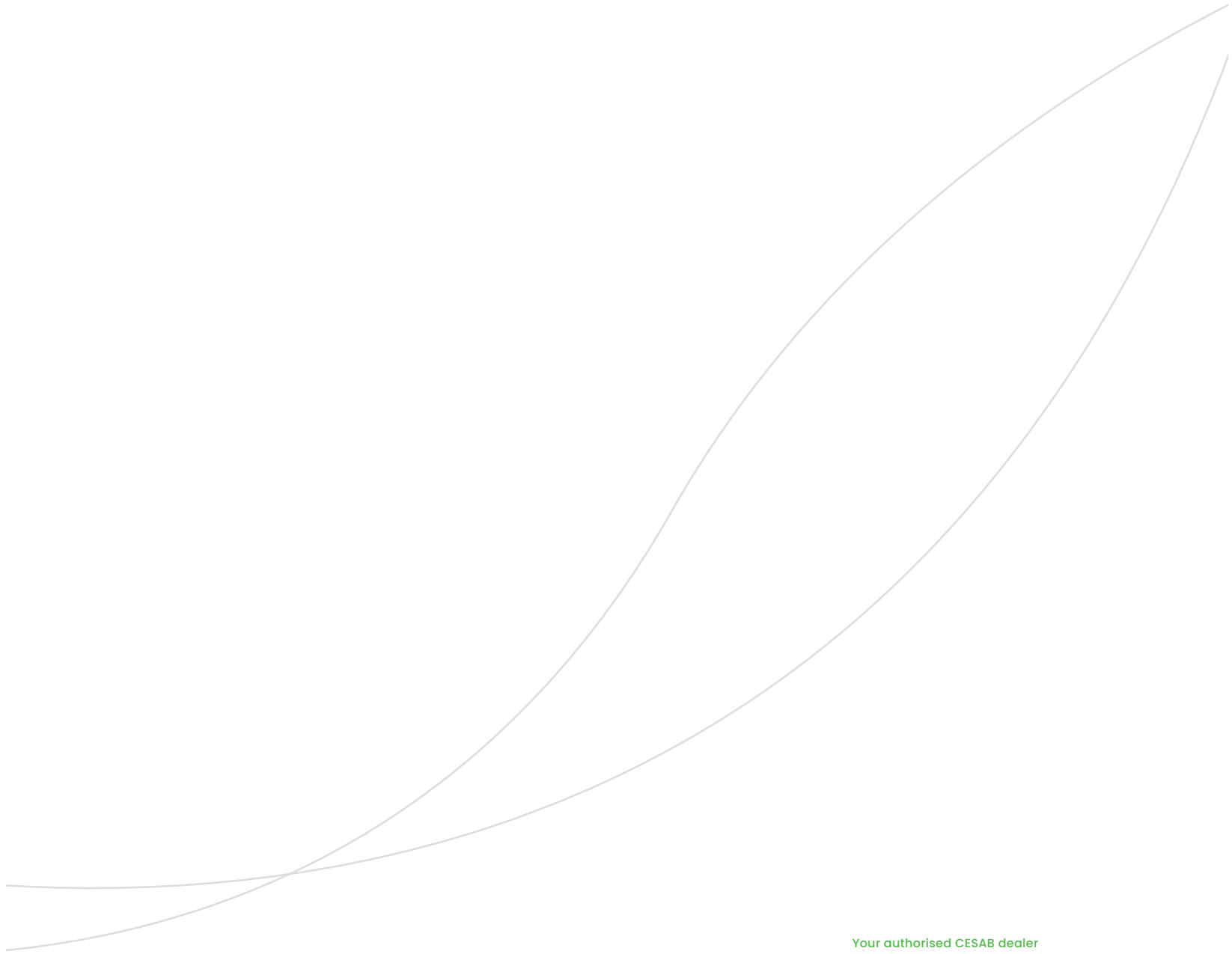
CESAB P216i

Dimensional Drawings





www.cesab-forklifts.eu



Your authorised CESAB dealer



The data in this specification sheet was determined based on our standard testing conditions. Operating performance may vary depending on the actual specification and condition of the truck as well as the condition of the operating area.

Availability and specifications are determined regionally and are subject to change without notice. Please consult your authorised CESAB dealership for further details. SPEC_P216i_EN_2020 / Ucan V2 – Copyright CESAB Material Handling Europe.

